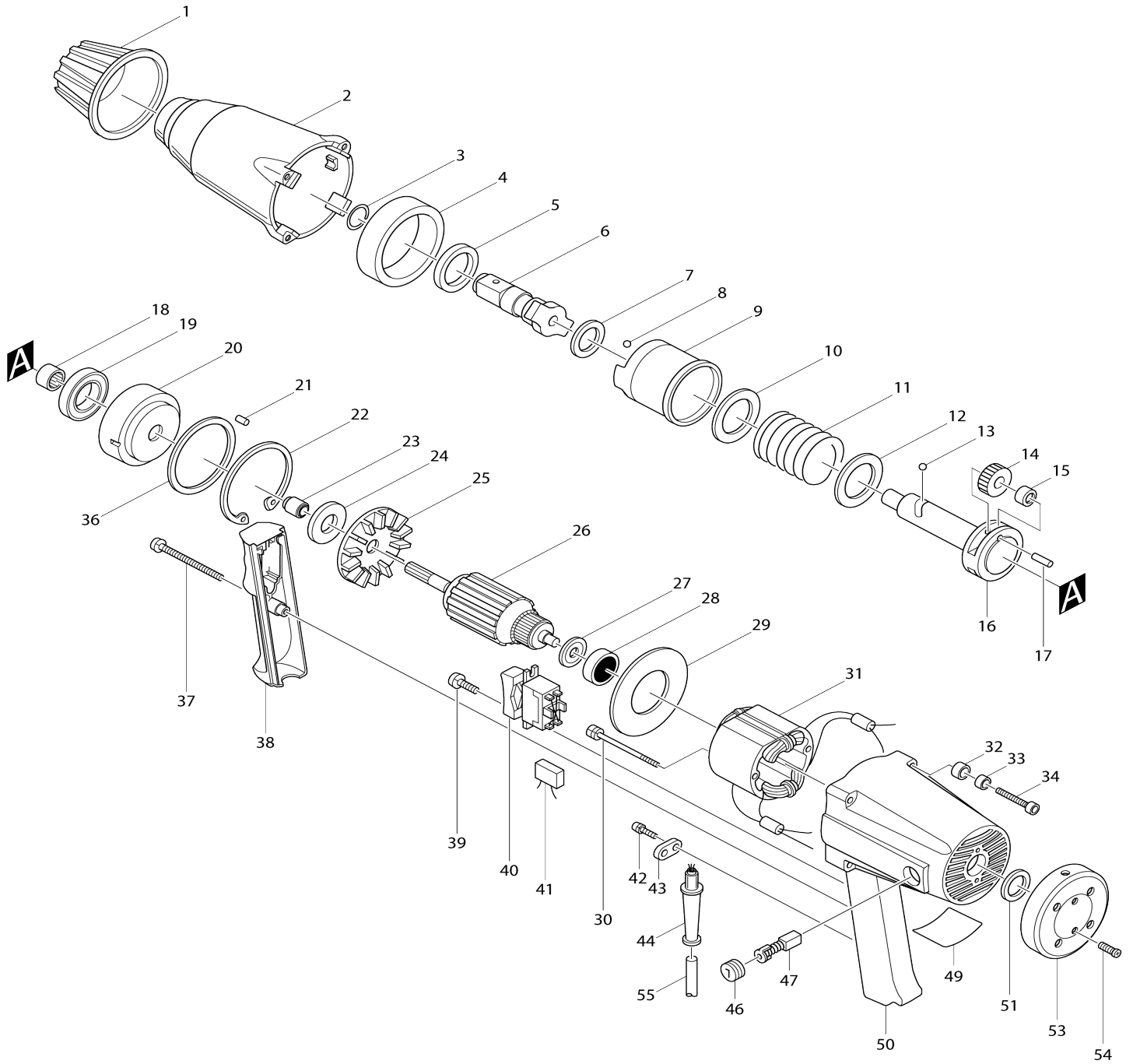


Model No.6906 IMPACT WRENCH



038-1	414959-9	HANDLE COVER		1		
039	911106-8	PAN HEAD SCREW M4X8		1		
040-2	651564-3	SWITCH SL220SD-4		1	*	
040-3	651564-3	SWITCH SL220SD-4	O	1		
041C_	645206-9	NOISE SUPPRESSOR		1		
042-1	911133-5	PAN HEAD SCREW M4X18		2		
043C_	687031-2	STRAIN RELIEF		1		
044A3	682540-6	CORD GUARD 9.3-90		1	*	
044A4	682505-8	CORD GUARD 10-90	O	1		
046	643600-9	BRUSH HOLDER CAP 6-10		2		
047	181030-1	CARBON BRUSH CB-100		1	*	
047-1	194974-6	CARBON BRUSH SET CB-100	O	1		
049	815088-5	NAME PLATE 6906		1		
050-2	159414-1	MOTOR HOUSING		1	*	
C10	643603-3	BRUSH HOLDER 6-10		2	*	
050-3	159414-1	MOTOR HOUSING	S	1		
C10	643603-3	BRUSH HOLDER 6-10		2		
051	262010-7	URETHANE RING 18		1		
053-1	284065-2	REAR COVER		1		
054-1	922221-3	HEX. SOCKET HEAD BOLT M5X16		2		
055C_	665865-3	POWER SUPPLY CORD 1.0-2-2.5		1		
400-1	273474-0	GRIP 37		1		
401	312700-3	GRIP BASE		1		
402	345086-0	BELT		1		
403	251920-3	CAP SQUARE NECK BOLT M6X30		1		
404	133183-2	SOCKET 32-56		1	*	
C10	213506-1	O RING 36		1	*	
C20	256089-8	PIN 5		1	*	
404-1	134871-4	SOCKET 32-52 ASS'Y		1	*	
C10	213514-2	O RING 38		1	*	
C20	256282-4	PIN 4		1	*	
406	821550-0	CONNECTOR PLASTIC CASE (TYP E2)		1		
C10	453974-8	LATCH		4		
406-3	182604-1	STEEL CARRYING CASE		1	*	
C10	819033-2	MAKITA LABEL		1	*	
406-4	182604-1	STEEL CARRYING CASE	O	1		
C10	819143-5	MAKITA LABEL		1		
407	838024-4	INNER TRAY		1		
408	803T78-0	6906J INDICATION LABEL		1		
409	803T79-8	6906J PLASTIC CASE LABEL		2		
500-1	122464-9	GRIP ASS'Y		1		
500-1		INC. 400-403				
501	132389-9	ANVIL ASS'Y		1	*	
501		INC. 3,6			*	
501-1	134946-9	ANVIL ASS'Y		1		
501-1		INC. 3,6				
900	911111-5	PAN HEAD SCREW M4X10 WITH W		2	*	
902	646325-4	LINE COIL		1	*	
904	685700-9	SPONGE SHEET		1		
907	654526-0	TERMINAL PLATE		2	*	

907-1	654741-6	TERMINAL BLOCK	S	1			
908	819064-1	MAKITA MARK		1	*		

Please state Parts No. when your order.

Print Date 11/04/2024